

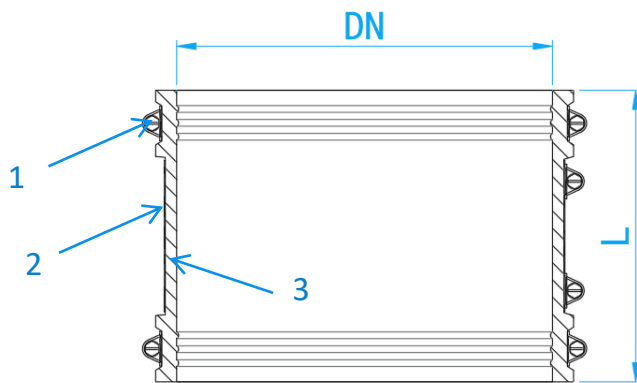
VITRIFIED CLAY PIPE AISI316L FLEXSEAL CLIPS

COMPLY WITH BS EN 295:2012
 BS EN 681:1995
 SS 270: 2015
 PUB COMPLIANT

 FLEXIBLE PROTECTIVE	 MANUAL	 CLIPS
	 SEWERAGE	 PIPE

QUALITY ASSURED

SS316L
 INDUSTRY STANDARD
STAINLESS STEEL



SIDE VIEW

* Engineered for optimal performance in conditions with low resistance to heavy earth loads or unstable ground environments.

COMPONENT PARTS

ITEM	PARTS	MATERIAL
1	Clips	AISI316L
2	Band	AISI316L
3	Body	EPDM



INSTALLATION ASSEMBLY

DIMENSIONS

SKU	SIZE (inch)	DN (mm)	L (mm)	Pipe OD (mm)	Tested To (Bar)	Tighten To (Nm)	WEIGHT (kg)	PCS/CTN
VCPSSC150	6"	202	150	175~200	2.5	6	1.195	1
VCPSSC225	9"	292	150	260-290	2.5	6	1.830	1